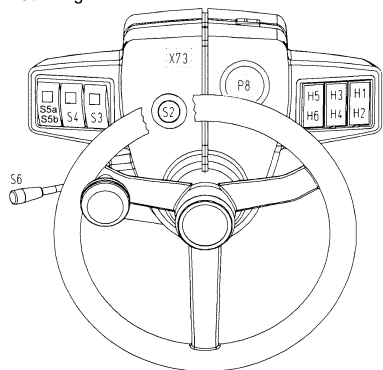
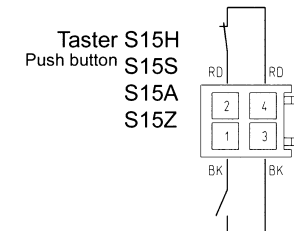
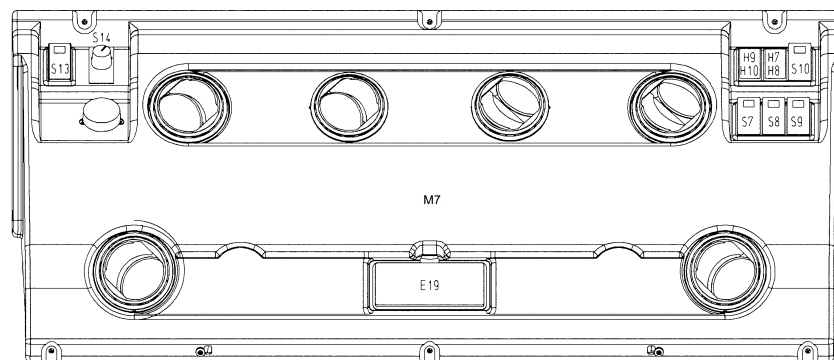


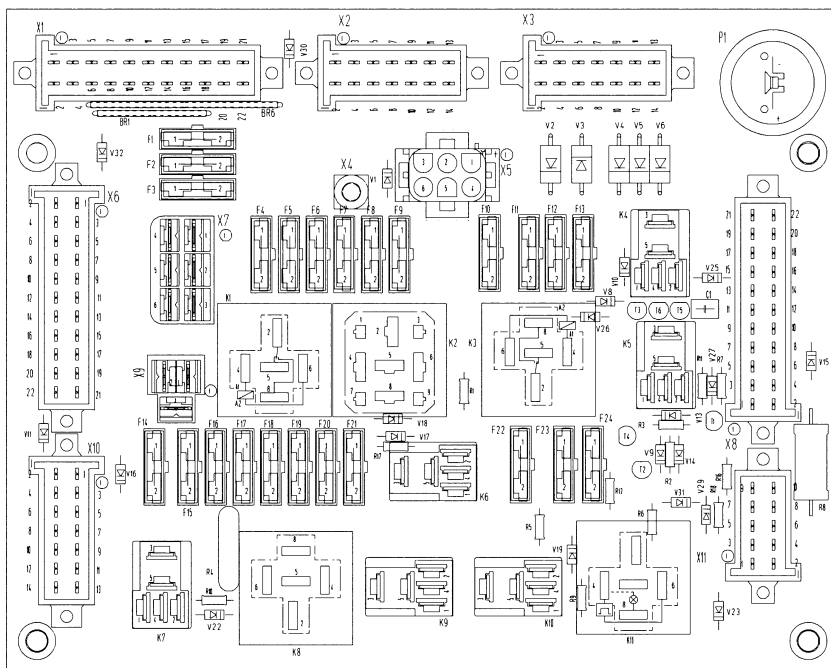
A Lenksäule
Steering column



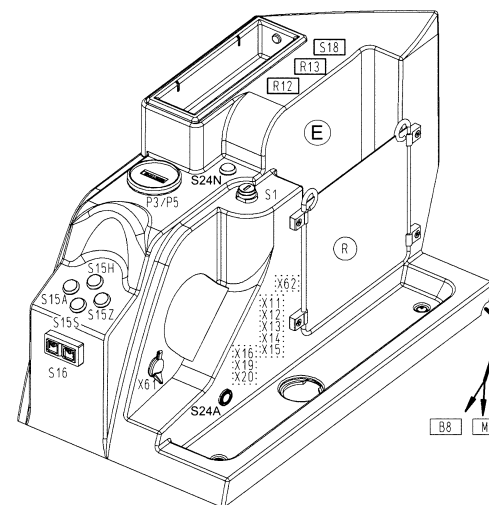
B Kabinendach
Cabin roof



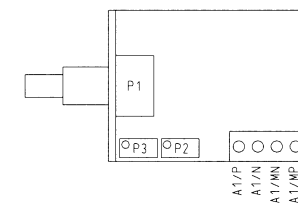
C Leiterkarte A2
Circuit board A2



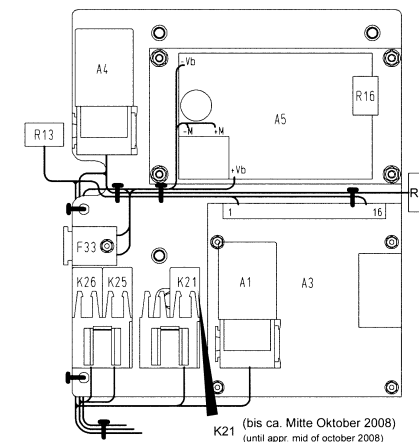
D Seitenkonsole rechts
Side console R.H.



E Steuergerät A1 (bis Masch.Nr.: 1137)
Amplifier A1 (until eng.no.: 1137)



R Propventilsteuerung(en)
(Seitenkonsole rechts) (ab Fgst.Nr.: 1433.02.8.1138.6)
Valve control(s) (from ser.no.: 1433.02.8.1138.6)



Pos.	Part-No.	Material-No.	Description	Measurement	DIN/ISO	Serial No. begin	Serial No. end	Remarks	Qty.	Un it	St at us
A1A	00562670	90358326	Mechanism control					until eng.no.: 1137!	1	PC	13
A1N	01164640	90550377	Control unit					From ser.no.: 1433.02.8.1138.6!	1	PC	01
A2	01163610	90501537	Circuit board fuse housing CM 1200						1	PC	01
A3	01161620	90484841	Control unit					For optopn Path dependant spreading (1443.00)	1	PC	13
A4	01166230	90554999	Control unit					for option Pressure adjustment	1	PC	13
A5	01165150	90550401	Control unit					Control unit for water pump (Citycleaner)	1	PC	01
B8	01143590	01143590	seat contact switch					see Cabin/Cabin - seat - parking brake/Pos.13, too!	1	PC	01
E19	01060700	90742339	Inner lamp					see Cabin/Inside housetop cpl./Pos.19, too!	1	PC	01
F1	00509550	19731066	Fuse	C7,5A	DIN 72581				1	PC	01
F2	00509550	19731066	Fuse	C7,5A	DIN 72581				1	PC	01
F3	00509550	19731066	Fuse	C7,5A	DIN 72581				1	PC	01
F7	01057050	19731398	Fuse	3A/32V					1	PC	01
F8	00500360	19731058	Fuse link	C20A	DIN 72581			F8: Air condition	1	PC	01
F9	00733630	19731082	Fuse	C10A	DIN 72581				1	PC	01
F10	00733640	19731090	Fuse	C15A	DIN 72581				1	PC	01
F11	01057050	19731398	Fuse	3A/32V					1	PC	01
F12	00733630	19731082	Fuse	C10A	DIN 72581				1	PC	01
F13	00733630	19731082	Fuse	C10A	DIN 72581				1	PC	01
F14	00906120	19731181	Fuse	C5A T3	DIN 72581				1	PC	01
F15	00500360	19731058	Fuse link	C20A	DIN 72581				1	PC	01
F16	00733640	19731090	Fuse	C15A	DIN 72581				1	PC	01
F17	00733630	19731082	Fuse	C10A	DIN 72581				1	PC	01
F18	00733640	19731090	Fuse	C15A	DIN 72581				1	PC	01
F19	00509550	19731066	Fuse	C7,5A	DIN 72581				1	PC	01
F20	00733630	19731082	Fuse	C10A	DIN 72581				1	PC	01
F21	00509550	19731066	Fuse	C7,5A	DIN 72581				1	PC	01
F22	00509550	19731066	Fuse	C7,5A	DIN 72581				1	PC	01
F23	00733630	19731082	Fuse	C10A	DIN 72581				1	PC	01
F24	00733640	19731090	Fuse	C15A	DIN 72581				1	PC	01
F33	00733640	19731090	Fuse	C15A	DIN 72581				1	PC	01

Pos.	Part-No.	Material-No.	Description	Measurement	DIN/ISO	Serial No. begin	Serial No. end	Remarks	Qty.	Unit	Status
H1	01090240	19255678	Indicator lamp	2x12V				Function: Load control; see Cabin/Steering column/Pos.21, too!	1	PC	01
H2	01090240	19255678	Indicator lamp	2x12V				Function: Pre-heating; see Cabin/Steering column/Pos.21, too!	1	PC	01
H3	01090250	19255686	Indicator lamp	2x12V				Function: Cooling water temperature; see Cabin/Steering column/Pos.20, too!	1	PC	01
H4	01090250	19255686	Indicator lamp	2x12V				Function: Oil pressure; see Cabin/Steering column/Pos.20, too!	1	PC	01
H5	01140610	19256163	Indicator lamp	2x 12V				Function: Indicator; see Cabin/Steering column/Pos.19, too!	1	PC	01
H6	01140610	19256163	Indicator lamp	2x 12V				Function: Fuel tank; see Cabin/Steering column/Pos.19, too!	1	PC	01
H7	01141860	19256171	Indicator lamp	2x12V				see Cabin/Inside housetop cpl./Pos.3, too!	1	PC	01
H8	01141860	19256171	Indicator lamp	2x12V				see Cabin/Inside housetop cpl./Pos.3, too!	1	PC	01
H9	01146080	19256239	Indicator lamp brake/turn signal						1	PC	01
H10	01144430	19255595	Indicator lamp brake	1x12V					1	PC	13
K1	00744770	90264672	Relay	0 332 209 158					1	PC	01
K2	01141180	90457029	control unit seat contact						1	PC	01
K3	00744770	90264672	Relay	0 332 209 158				K3: Air condition	1	PC	01
K4	01141170	90471103	Relay	12V 30/10A					1	PC	01
K5	01141170	90471103	Relay	12V 30/10A					1	PC	01
K6	01141170	90471103	Relay	12V 30/10A					1	PC	01
K7	01141170	90471103	Relay	12V 30/10A					1	PC	01
K9	01141170	90471103	Relay	12V 30/10A					1	PC	01
K10	01141170	90471103	Relay	12V 30/10A					1	PC	01
K11	01163600	90504671	Indicator						1	PC	01
K2 1A	00744770	90264672	Relay	0 332 209 158					1	PC	01
K2 1N	01141170	90471103	Relay	12V 30/10A					1	PC	01
K25	01141170	90471103	Relay	12V 30/10A					1	PC	01
K26	01141170	90471103	Relay	12V 30/10A					1	PC	01
M7	01143960	90782780	Blower	91.363.77.495					1	PC	01
M8	01143620	01143620	compressor	A 12V				see Cabin/Cabin - seat - parking brake/Pos.17, too!	1	PC	01
P3	01140020	90456104	Service counter					see Cabin/Console R.H./Pos.31, too!	1	PC	01
P5	01145720	90456112	Work mileage counter						1	PC	01

Pos.	Part-No.	Material-No.	Description	Measurement	DIN/ISO	Serial No. begin	Serial No. end	Remarks	Qty.	Unit	Status
P8	01164650	90550419	Temperature indicator						1	PC	01
R1	01144420	01144420	air heater						1	PC	01
R11	01168890	19245018	Resistor	1K 0207				1kOhm	1	PC	01
R12	01161840	97058630	Retool kit POTENTIOMETER						1	PC	KD
R13	01161840	97058630	Retool kit POTENTIOMETER						1	PC	KD
R16	01161840	97058630	Retool kit POTENTIOMETER						1	PC	KD
S1	01144390	90480807	Ignition switch (incl. 2 keys)					see Cabin/Console R.H./Pos.21, too!	1	PC	13
S2	00864130	90154477	Safety flasher switch					see Cabin/Steering column/Pos.2, too!	1	PC	01
S3	01090280	19255538	Switch						1	PC	07
S4	01140580	19255579	Switch						1	PC	01
S5a	01140600	19256015	Switch					in CT 4200	1	PC	13
S5b	01066150	19255504	Switch for fan pump or water pump					in CM 1200	1	PC	01
S6	00746500	90122219	Blinker switch					see Cabin/Steering column/Pos.5, too!	1	PC	01
S7	01141830	19255991	Switch wiper					see Cabin/Inside housetop cpl./Pos.8, too!	1	PC	01
S8	01090290	19255520	Light switch					see Cabin/Inside housetop cpl./Pos.9, too!	1	PC	01
S9	01141840	19256023	Switch tank					see Cabin/Inside housetop cpl./Pos.10, too!	1	PC	01
S10	01141850	19256031	Switch snow shield					see Cabin/Inside housetop cpl./Pos.2, too!	1	PC	01
S13	01141900	19255611	Switch air condition					see Cabin/Inside housetop comfort/Pos.2, too!	1	PC	01
S14	01064390	90791146	Rotary switch						1	PC	01
S1 5A	01161540	90491457	Push button					Function: Lifter broom open; see Cabin/Console R.H./Pos.29, too!	1	PC	01
S1 5H	01161540	90491457	Push button					Function: Lifter up; see Cabin/Console R.H./Pos.29, too!	1	PC	01
S1 5S	01161540	90491457	Push button					Function: Lifter down; see Cabin/Console R.H./Pos.29, too!	1	PC	01
S1 5Z	01161540	90491457	Push button					Function: Lifter broom locked; see Cabin/Console R.H./Pos.29, too!	1	PC	01
S16	01140160	90471004	Switch					see Cabin/Console R.H./Pos.22, too!	1	PC	01
S18	00509590	90260282	Rotary switch					Switch for reverse-signal	1	PC	01
S2 4A	00133770	90125782	Press switch					until 2007-02-28	1	PC	01
S2 4N	01161540	90491457	Push button					from 2007-03-01		PC	01
V22	00050760	90194879	Diode						1	PC	01

Pos.	Part-No.	Material-No.	Description	Measurement	DIN/ISO	Serial No. begin	Serial No. end	Remarks	Qty.	Unit	Status
X13	01144030	19729292	Housing	4-polig					1	PC	01
X61	00022580	90141813	Power socket						1	PC	01
X62	00972390	19791177	Plastic cover	G 6,3					1	PC	01
X73	00972390	19791177	Plastic cover	G 6,3					1	PC	01